



RITZ

C O L L E C T I O N

Designer Shower Enclosure Range

CONTENTS





About Ritz	02
Features	04
• Tempered Glass	
• Hardware	
Models	
• R820W	10
• R820G	12
• R830G	14
• R840L	16
• R840G	18
• R840W	20
• R840P	22
• R840F	24
• R850C	26
Maintenance & Service	28



INTRODUCING THE NEW STYLISH

RITZ

C O L L E C T I O N

Designer Shower Enclosure Range

Luxury is an attitude, style and symbol. Pursue your unique luxury and find the enhanced way of comfortable living. Enjoy the pleasure of water and sublime the soul with the attitude of Ritz.

Ritz - A luxurious new series of shower enclosures from Jaquar for premium bathrooms. Created with an aesthetic that takes inspiration from the angularity of high-quality glass panels and complements with uniquely designed hardware built for years of unmatched performance. Choose from 9 exclusive options to add a new dimension to your bathroom.



FEATURES

- Special hydrophobic treated tempered glass of 8mm thickness
- Brass with chrome plated hinges
- Adjustable wall profile of stainless steel grade - 304
- Designer handle or towel rod-cum-handle
- Square shaped stabilizer bar with designer connectors
- Specially designed Leak proof damp strip with dual purpose



SPECIALLY TREATED TEMPERED GLASS

The Tempered glass with special hydrophobic treatment on the inner surface repels water, oil, soap and provides a clean and clear glass with nominal effort on maintenance. It prevents bacterial growth, lime-scale build up and water spots on the glass.

SLEEK CONTEMPORARY HARDWARE DESIGN

The beauty of RITZ hardware is hidden in its squarish design and coquettish warmth when the stylish hardware materials match with the exquisite shower room. The enclosures shine out different kind of beauty, redefining the 'beauty' can be 'art of technology'.

Hinges – Sleek and stylish brass hinges very thoughtfully placed at the top and bottom of the enclosure for a clutter-free and aesthetically pleasing appearance.



Wall Profile - Wall profiles of 304-graded stainless steel provides extra stability to the glass of enclosure. It makes the enclosure more stable, more durable and more sturdy.



The enclosure can be adjusted upto 15 mm making the profile complimentary according to the aesthetics of the bathroom.

Connector - Specially designed connectors enriches the overall elegance of the enclosure



Stabilizer Bar - The square-shaped, stainless steel Stabilizer bar provides better stability to the enclosure and the extended placement of the stabilizer makes the enclosure look different from the conventional designs of other enclosures.





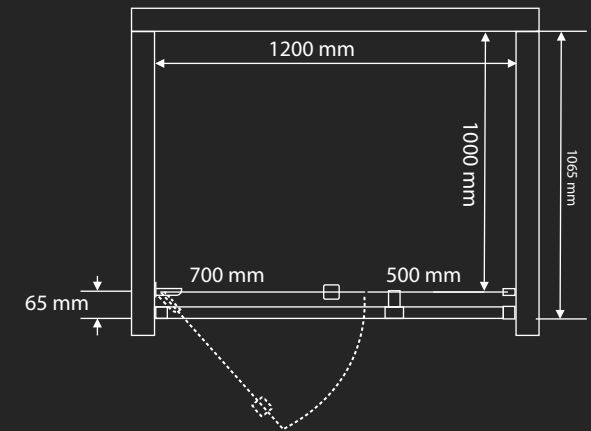
Handle – Designer handles increase the richness of Ritz Collections. Apart from its luxurious feel, the width of the handle adds convenience and safety. The option of either handle or handle-cum-towel bar provides more versatility to the designer's imagination.



Damp Strip – A damp strip at the bottom of the door and the plastic wiper, provides extra protection against water leakage, improving the functional benefit of the enclosure. The specially designed damp strip eliminates the requirement of a floor clamp and thus contributes to the clutter-free, elegant look of the enclosure.







It is a perfect solution for almost all the requirements of wall to wall enclosures. The enclosure is highly flexible and gets accommodated where space is a constraint.

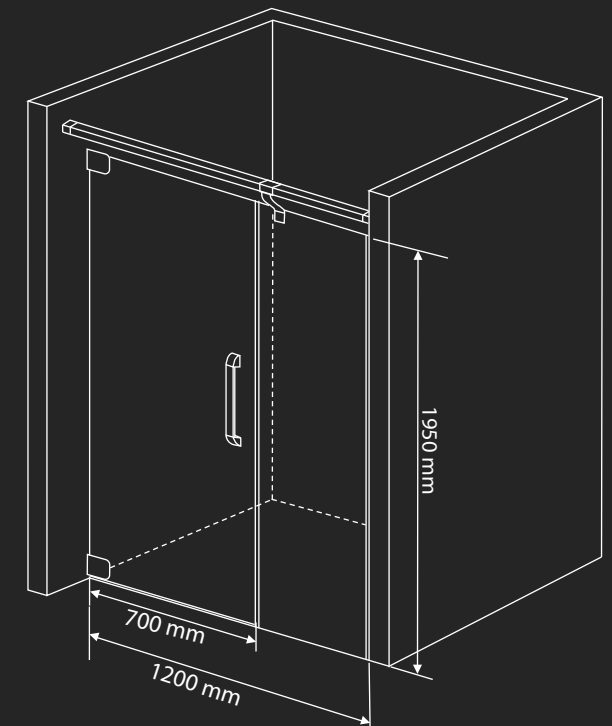
Description: Wall to Wall Shower Enclosure with one fixed glass and one openable door fixed on the Wall - 2 Part

Finish: Chrome

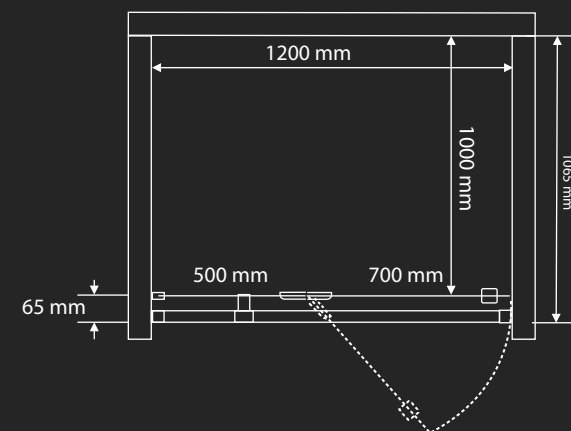
Glass Thickness: 8mm

Dimensions:

Width	Height	Version	Code
800-1200	1950	Left	JSE-CHR-R820W0812L
1201-1600	1950	Left	JSE-CHR-R820W1216L
1601-2000	1950	Left	JSE-CHR-R820W1620L
800-1200	1950	Right	JSE-CHR-R820W0812R
1201-1600	1950	Right	JSE-CHR-R820W1216R
1601-2000	1950	Right	JSE-CHR-R820W1620R







The wall to wall enclosures satisfy all the globally accepted showering needs and an ideal solution for all the niche applications.

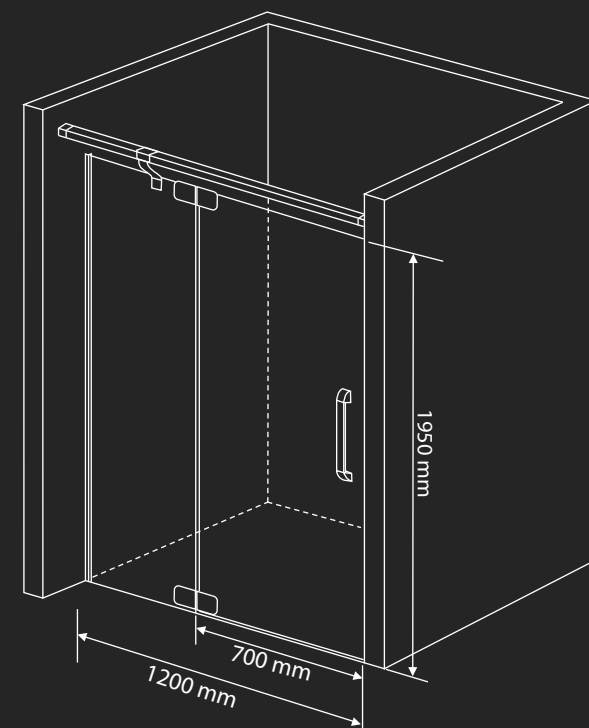
Description: Wall to Wall Shower Enclosure with one fixed glass and one openable door fixed on the Glass - 2 Part

Finish: Chrome

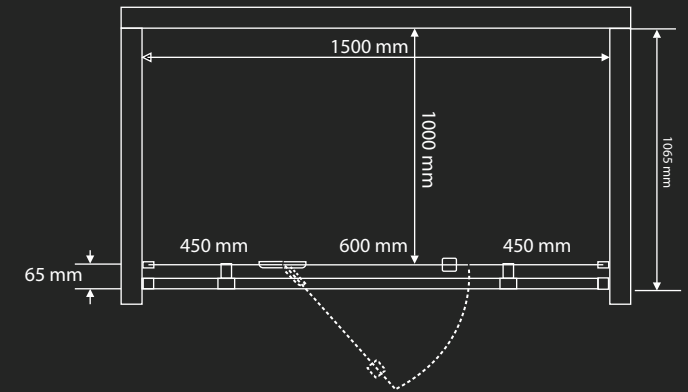
Glass Thickness: 8mm

Dimensions:

Width	Height	Version	Code
800-1200	1950	Left	JSE-CHR-R820G0812L
1201-1600	1950	Left	JSE-CHR-R820G1216L
1601-2000	1950	Left	JSE-CHR-R820G1620L
800-1200	1950	Right	JSE-CHR-R820G0812R
1201-1600	1950	Right	JSE-CHR-R820G1216R
1601-2000	1950	Right	JSE-CHR-R820G1620R







The enclosure suites best in wide wall to wall shower areas. The door in between provides more symmetrical look in the model, enhancing the overall elegance.

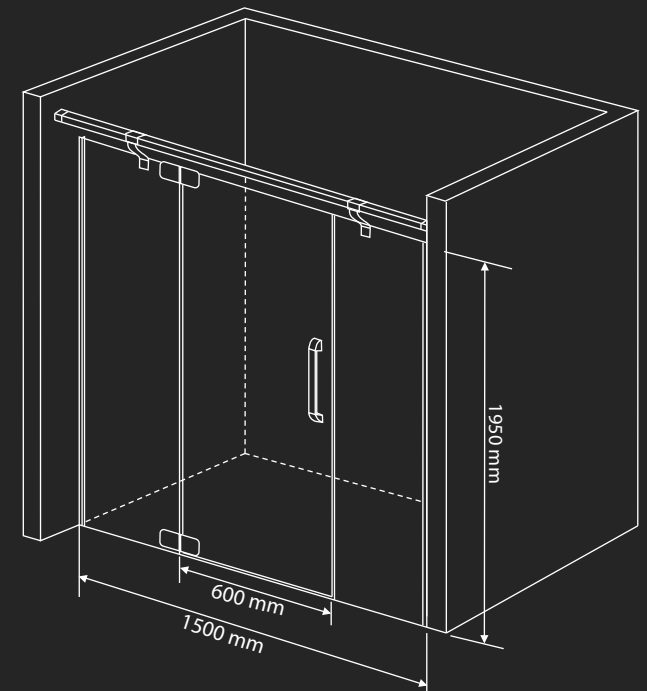
Description: Wall to wall Shower Enclosure with two fixed glass and openable door in between - 3 Part

Finish: Chrome

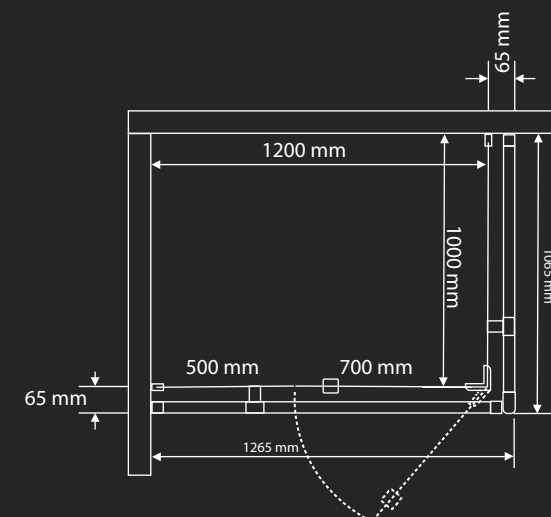
Glass Thickness: 8mm

Dimensions:

Width	Height	Version	Code
1200-1600	1950	Left	JSE-CHR-R830G1216L
1601-2000	1950	Left	JSE-CHR-R830G1620L
2001-2400	1950	Left	JSE-CHR-R830G2024L
2401-2800	1950	Left	JSE-CHR-R830G2428L
1200-1600	1950	Right	JSE-CHR-R830G1216R
1601-2000	1950	Right	JSE-CHR-R830G1620R
2001-2400	1950	Right	JSE-CHR-R830G2024R
2401-2800	1950	Right	JSE-CHR-R830G2428R







The combination of elegance and practicality makes the R840L a perfect solution for almost in all the corner positions.

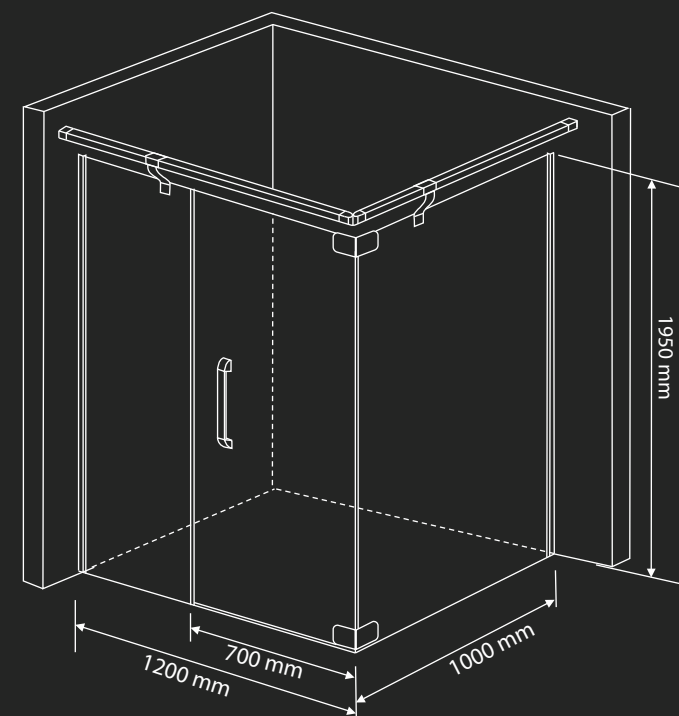
Description: Corner Shower Enclosure with two fixed glass and openable door fixed on side panel - 3 Part

Finish: Chrome

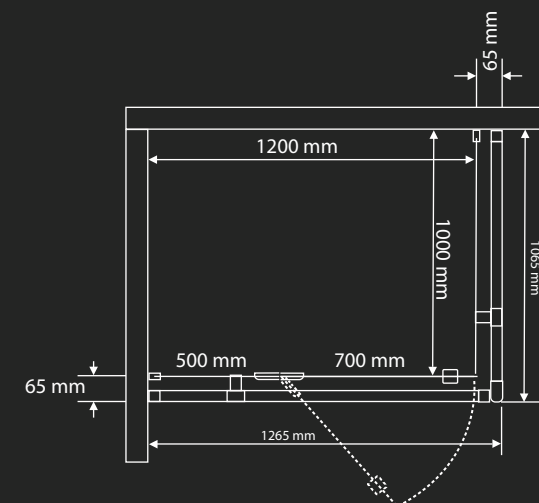
Glass Thickness: 8mm

Dimensions:

Width	Height	Version	Code
1600-2000	1950	Left	JSE-CHR-R840L1620L
2001-2400	1950	Left	JSE-CHR-R840L2024L
2401-2800	1950	Left	JSE-CHR-R840L2428L
2801-3200	1950	Left	JSE-CHR-R840L2832L
1600-2000	1950	Right	JSE-CHR-R840L1620R
2001-2400	1950	Right	JSE-CHR-R840L2024R
2401-2800	1950	Right	JSE-CHR-R840L2428R
2801-3200	1950	Right	JSE-CHR-R840L2832R







The elegance and perfection in Model R840G, makes it a global product for the corner shower areas. The door opening outside provides extra space inside the showering area.

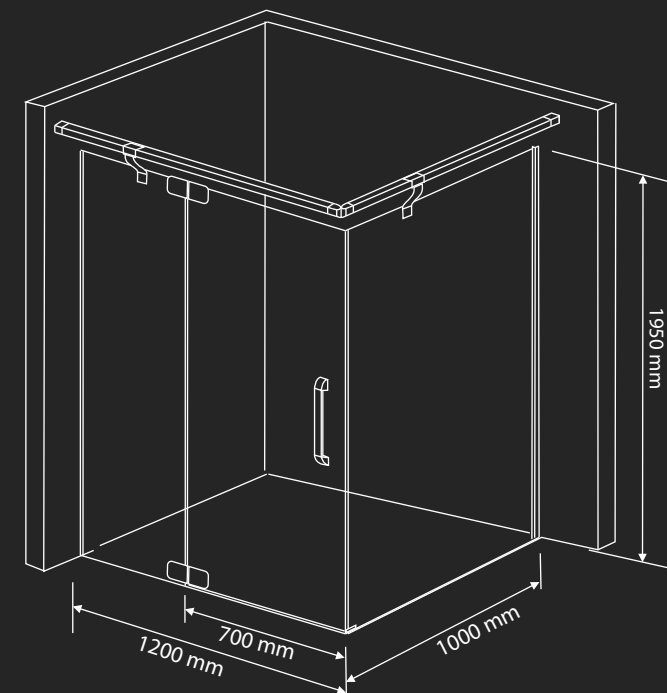
Description: Corner Shower Enclosure with two fixed glass and openable door fixed on the front panel
- 3 Part

Finish: Chrome

Glass Thickness: 8mm

Dimensions:

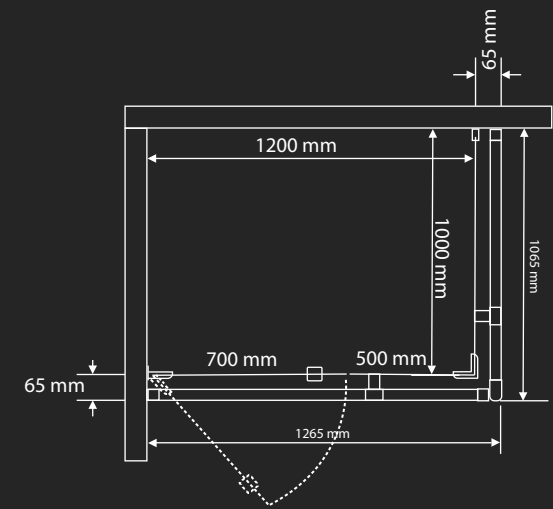
Width	Height	Version	Code
1600-2000	1950	Left	JSE-CHR-R840G1620L
2001-2400	1950	Left	JSE-CHR-R840G2024L
2401-2800	1950	Left	JSE-CHR-R840G2428L
2801-3200	1950	Left	JSE-CHR-R840G2832L
1600-2000	1950	Right	JSE-CHR-R840G1620R
2001-2400	1950	Right	JSE-CHR-R840G2024R
2401-2800	1950	Right	JSE-CHR-R840G2428R
2801-3200	1950	Right	JSE-CHR-R840G2832R



As I gaze
upon the sea,
all my
dreams
come back
to me.

As I gaze
upon the sea,
all my
dreams
come back
to me.





An elegant solution with maximum impact, Model R840W is uniquely designed with its door fixed on the wall. Its functional step out area makes, it a real sanctuary for blissfull showering.

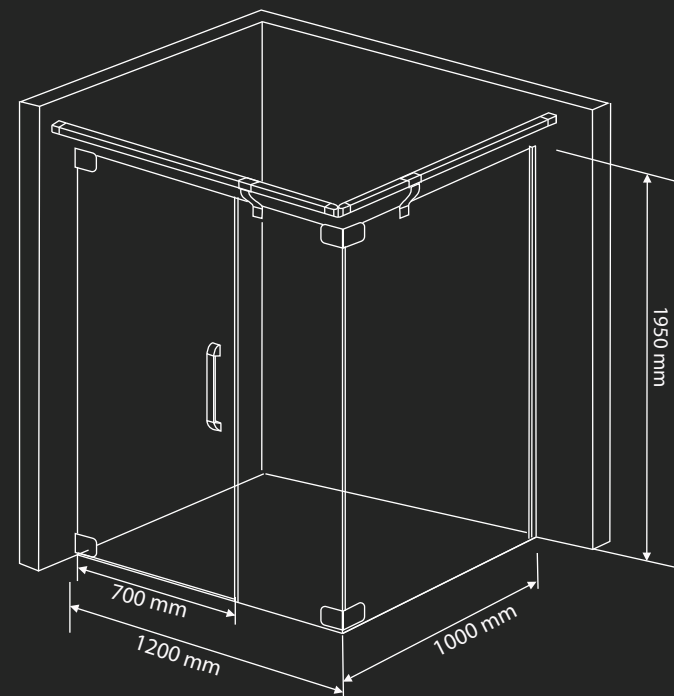
Description: Corner Shower Enclosure with two fixed glass and openable door fixed on the front panel - 3 Part

Finish: Chrome

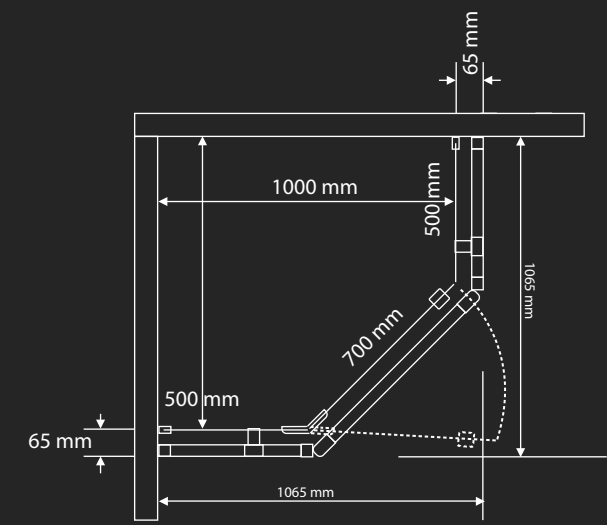
Glass Thickness: 8mm

Dimensions:

Width	Height	Version	Code
1600-2000	1950	Left	JSE-CHR-R840W1620L
2001-2400	1950	Left	JSE-CHR-R840W2024L
2401-2800	1950	Left	JSE-CHR-R840W2428L
2801-3200	1950	Left	JSE-CHR-R840W2832L
1600-2000	1950	Right	JSE-CHR-R840W1620R
2001-2400	1950	Right	JSE-CHR-R840W2024R
2401-2800	1950	Right	JSE-CHR-R840W2428R
2801-3200	1950	Right	JSE-CHR-R840W2832R







Different in look the Model R840P, Provides optimum utilization of space by creating extra space outside the shower area. The pentagonal shape of the models helps to make a bathroom a four zone bathroom by creating extra space in the middle.

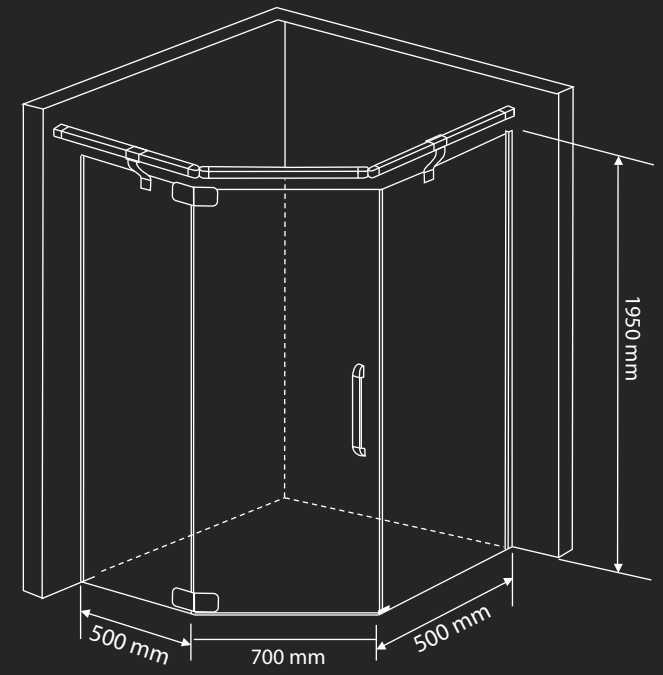
Description: Pentagonal shaped Corner Shower Enclosure with two fixed glass and openable door fixed on the front panel - 3 Part

Finish: Chrome

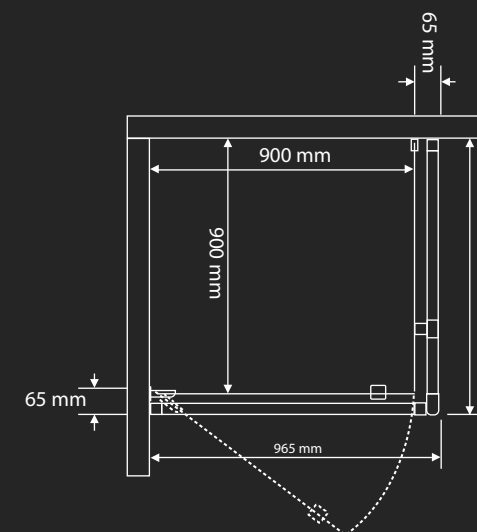
Glass Thickness: 8mm

Dimensions:

Width	Height	Version	Code
1600-2000	1950	Left	JSE-CHR-R840P1620L
2001-2400	1950	Left	JSE-CHR-R840P2024L
2401-2800	1950	Left	JSE-CHR-R840P2428L
2801-3200	1950	Left	JSE-CHR-R840P2832L
1600-2000	1950	Right	JSE-CHR-R840P1620R
2001-2400	1950	Right	JSE-CHR-R840P2024R
2401-2800	1950	Right	JSE-CHR-R840P2428R
2801-3200	1950	Right	JSE-CHR-R840P2832R







The model is ideal for small bathrooms with small shower area. Though space is a constraint but the unique design with one fixed glass and one door provides effective functionality with elegance.

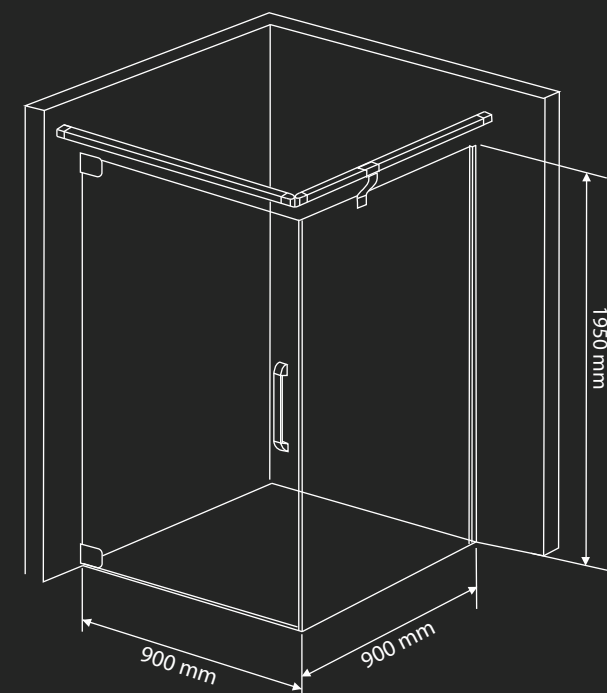
Description: Corner Shower Enclosure with one fixed glass and one openable door - 2 part

Finish: Chrome

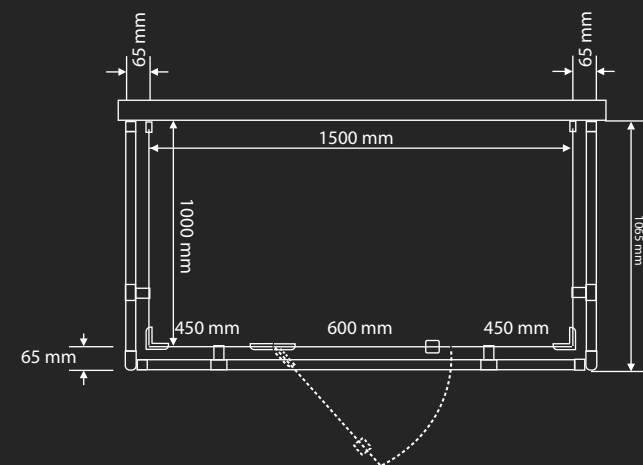
Glass Thickness: 8mm

Dimensions:

Width	Height	Version	Code
1600-2000	1950	Left	JSE-CHR-R840F1620L
2001-2400	1950	Left	JSE-CHR-R840F2024L
2401-2800	1950	Left	JSE-CHR-R840F2428L
2801-3200	1950	Left	JSE-CHR-R840F2832L
1600-2000	1950	Right	JSE-CHR-R840F1620R
2001-2400	1950	Right	JSE-CHR-R840F2024R
2401-2800	1950	Right	JSE-CHR-R840F2428R
2801-3200	1950	Right	JSE-CHR-R840F2832R







The model provides the true sense of luxury by its elegant look and wide spread in the middle of the bathroom. The flashy and exquisite enclosure covers the showering area from all the three sides and requires only one wall.

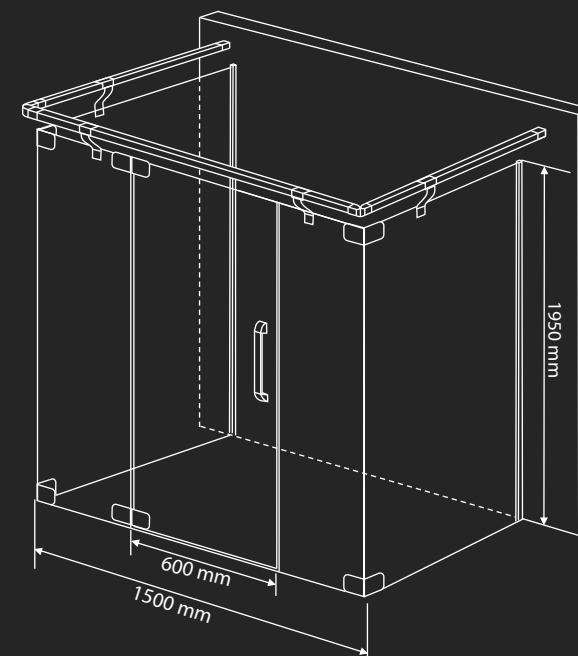
Description: Stand alone Shower Enclosure with two fixed glass on the either sides and two fixed glass on the front with an openable door in between of the front panels - 5 Parts

Finish: Chrome

Glass Thickness: 8mm

Dimensions:

Width	Height	Version	Code
2800-3200	1950	Left	JSE-CHR-R185C2832L
3201-3600	1950	Left	JSE-CHR-R185C3236L
3600-4000	1950	Left	JSE-CHR-R185C3640L
2800-3200	1950	Right	JSE-CHR-R185C2832R
3201-3600	1950	Right	JSE-CHR-R185C3236R
3600-4000	1950	Right	JSE-CHR-R185C3640R



The elegance of **Ritz Collection** is further enhanced with the backup of Jaquar Customer Care 1800 121 6808 (Toll Free)

Warranty of 5 years on the hardware, plastic components and other parts (except glass) redefine the luxury along with trust.





JAQUAR GROUP GLOBAL HEADQUARTERS

LEED Platinum Certified by USGBC
Net zero energy building spreadover 48,000 sq. mtrs.

Conceived back in 1960, the Jaquar Group has been built on the platform of the highest quality standards, aesthetics and the intent of providing world-class products. Today, the Jaquar Group caters to luxury, premium and value bathroom segments with Artize, Jaquar and Essco brands, respectively, for residential and commercial sectors across the globe. In fact, Jaquar is now an internationally recognised brand available in over 45+ countries in Europe, the Middle East, Africa and the Asia-Pacific region.



A tribute to the fine traditions of exquisite craftsmanship and precision where design, technology and expertise combine to deliver a masterpiece. Artize products are crafted for luxurious bath spaces. Perfect harmony is the very essence of Artize-together as coordinates or even as individual pieces. Artize's exquisite craftsmanship is so stunning that it can inspire the design principles of not just your bath spaces but of your entire living spaces.



Essco is Jaquar Group's value-for-money bath brand. A pan-India brand, Essco added a whole new chapter in the country's bath fittings industry by ushering in the era of the organised bath market in 1960. By offering good quality products at affordable pricing along with a 10-year warranty and impeccable customer service, Essco is standing tall in the Indian bath fittings for over 5 decades.



Created for the premium segment, the Jaquar brand offers the Indian consumer easy access to the finest choices in bathing products. India's most trusted bath brand, Jaquar is an undisputed market leader because of its quality that is backed by unmatched customer service - available nationwide, with a single number. A global Superbrand, Jaquar's wide range of products combine beautifully designed aesthetics with the highest build quality to ensure that they can withstand tough Indian usage conditions. Customer confidence in the brand is further strengthened with the 10-year warranty and industry-leading customer care. A Complete Bathroom Solutions brand, Jaquar is a one-window solution brand for anyone seeking to build a beautiful bathroom.



Jaquar Lighting gives you complete lighting solutions - for residential, commercial and outdoor use. Designed to complement and coordinate the most exclusive interior and exterior lifestyles and decors, Jaquar Lighting's extensive range lets you choose for varied budgets without compromising on quality and reliability. Every lighting product reflects Jaquar's impeccable record of superlative quality and painstaking attention to detail.



JAQUAR GROUP
Global Head Quarters
Plot No. 3, Sector-11, IMT Manesar, Gurgaon-122050
E-mail: Sales: support@jaquar.com, Customer Service: service@jaquar.com

ORIENTATION CENTRES:

AHMEDABAD: Ground Floor, Commerce House-4, B/S Shell Petrol Pump, Near Anand Nagar Cross Roads, 100 Ft. Road, Prahlad Nagar, Satellite, Ahmedabad.
E-mail: ahmedabad@jaquar.com

BANGALORE: No. 10, V.N. Street, Next to Hotel Ramada, Shivaji Nagar, Tasker Town, Bangalore-560051.
Fax: 22862518.
E-mail: bangalore@jaquar.com

BHOPAL: Shop No. 7, 3rd Floor, City Center, Above Lotus, 1 Press Complex, M. P. Nagar, Zone-1, Bhopal-462011.
E-mail: bhopal@jaquar.com

BHUBANESWAR: Plot No. 853/1671, 2nd Floor, Jharpada, Cuttack Road, Bhubaneswar-751006.
E-mail: bhubaneswar@jaquar.com

CHANDIGARH: SCO-52, 53 Sector-17A, Opp. Park Plaza, Chandigarh-160022.
Fax: 2612755. E-mail: chandigarh@jaquar.com

CHENNAI: Ground Floor, KGN Towers, 62 Ethiraj Salai, Chennai-600105.
Fax: 42144235. E-mail: chennai@jaquar.com

AREA REPRESENTATIVES:

AGRA: 9359150880

AKOLA: 9823352288

AMRITSAR: 9815379722

AURANGABAD: 8308838037

BARODA: 9825036745

BHAGALPUR: 7070997690

BILASPUR: 9630095012

CALICUT: 9895006320

COIMBATORE: 9884874121

DEHRADUN: 9837145508

DHANBAD: 9234682208

DHARAMSHALA: 9816866697

FARIDABAD: 7290003387

GOA: 09552521255, 08380096835, 07722043848

GURGAON: 9711361408

COCHIN: No. 35/563, Opp. International Stadium, Palarivattom P.O., Cochin-682025. Fax: 2340887/88.
E-mail: cochin@jaquar.com

GUWAHATI: "Swagota Envisson"
Ground Floor, G.S.Road, Six-mile, Khanapara (Opp. Directorate Of Agriculture, Assam) Guwahati-781022
Email: guwahati@jaquar.com

HYDERABAD: Unit No. 202, Reliance Classic Banjara Hills, Road No.1, Hyderabad-500034. Fax: 23379595.
E-mail: hyderabad@jaquar.com

INDORE: 304 - 307, Darshan Mall, 15/2, Race Course Road, Above HSBC Bank, Indore.
E-mail: indore@jaquar.com

JAIPUR: Neelkanth, 1 Bhawani Singh Road, Opp. Nehru Sehkar Bhawan, C-Scheme, Jaipur-302 001.
E-mail: jaipur@jaquar.com

JAMMU: C/o Bonny Square, Near VISHAI Mega Mart, National Highway, Bypass Road, Kunjwani, Jammu, J&K - 180010.
E-mail: jammu@jaquar.com

KOLKATA: 2nd Floor, 55, Chowringhee Road, Kolkata-700071.
E-mail: kolkata@jaquar.com

LUCKNOW: Ground Floor, ASHA Bhawan, 27/II A, Gokhle Marg, Lucknow.
E-mail: lucknow@jaquar.com

LUDHIANA: 2nd Floor, Lodhi Complex, Mall Road, Ludhiana.
E-mail: ludhiana@jaquar.com

MUMBAI: 101, 102, 103, 1st Floor, Kamla Spaces, Above Kohinoor Electronics, S.V. Road, Near Khira Nagar, Santacruz (W), Mumbai-400 054. Fax: 26613917.
E-mail: mumbai@jaquar.com

NAGPUR: Kala Bhavan, 103/A South Ambazari Road, Shradhanand Peth Square, Laxminagar, Nagpur-440022
E-mail: nagpur@jaquar.com

NEW DELHI: D-56, Defence Colony, New Delhi-110 024. Fax: 24636809.
E-mail: delhinc@jaquar.com

PUNE: DSK Gandharva Heights, 5th Floor, Office No.501, Near Hotel Pride Executive, Ganeshkhind Road, Shivajinagar, Pune-411005. Fax: 25513921.
E-mail: pune@jaquar.com

RAIPUR : M.K. Planet, Ring Road No. 1, New Rajendra Nagar, Raipur-492001.

SILIGURI: 1st Floor, M-Square, Opp. Hotel Sachitra, 2nd Mile, Sevoke Road, Siliguri-734002.
E-mail: siliguri@jaquar.com

SURAT: 23, Siddhi Shopping Centre, Nr. Agrasen Bhavan Char Rasta, City Light Road, Surat.
E-mail: surat@jaquar.com

GUWAHATI: 9207049049, 0361-2463051

GWALIOR: 9993097335

HISSAR: 8053966999

JABALPUR: 9981530765

JALANDHAR: 9815914466

JODHPUR: 9829076309

JHANSI: 9839101081

KANPUR: 9839101081

KARNAL: 9467648455

KOLHAPUR: 7722034848

LUCKNOW: 8009211122

MEERUT: 8755984321

MORADABAD: 9897616491

MUZAFFARPUR: 7870025300

NAGPUR: 9823072050

NASIK: 07045347116, 09167395440

NOIDA: 9953070353

PATNA: 9835036635

RAIPUR: 9893049275, 9630095014

RAJKOT: 9825036746, 9825036743

RANCHI: 9709122225

ROHTAK: 9779248104

SHIMLA: 9501075460

SOLAPUR: 9881066275

UDAIPUR: 9829026309

U.P. (WEST): 9837065190

UTTARAKHAND KUMAON: 9690055888, 7055065558

VARANASI: 9935166968, 7570003576

KATHMANDU: 9851043149, 9741126044

Customer Care - 18001216808 (Toll Free)

Orientation Centre - 33002233*

* Add nearest Orientation Centre city code before the number.

Jaquar has an ongoing policy of design, development and improvement and thus reserves the right to modify specification and prices without any prior notice.



